

REAR DUMP TAILGATE

Loadquip offers a range of tailgates to suit off highway rear dump trucks. The fitment of tailgates to these haul trucks increases the effective volume of the dump body. This is particularly beneficial when hauling low density payloads such as coal as it allows the full load capacity of the truck to be realised.

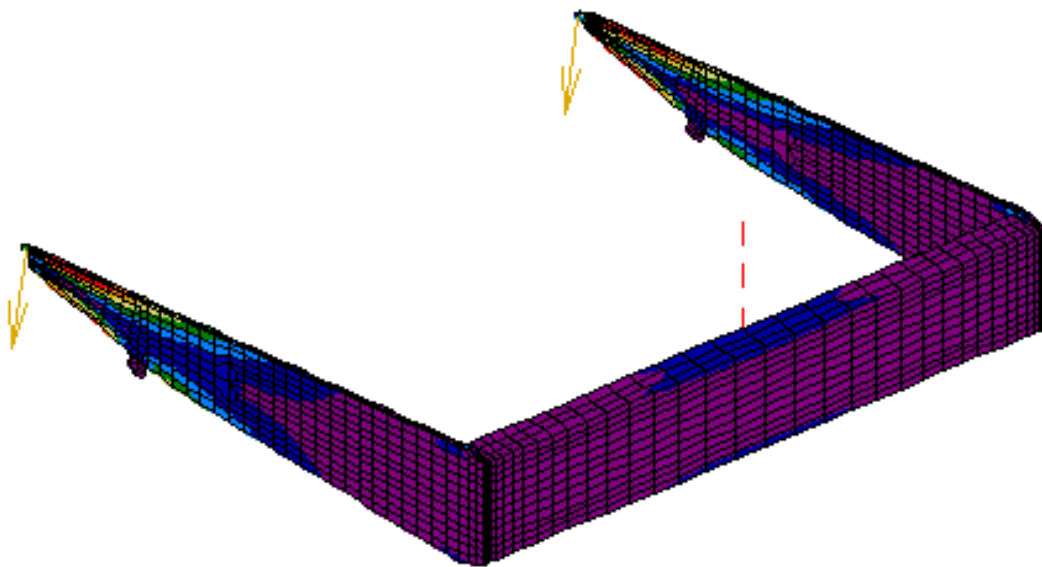
Another important advantage of tailgates is the resulting reduction in spillage associated with their use. This reduces the requirement for haul road maintenance and also increases tyre life by reducing damage.



Tailgates are a low cost method of increasing haul truck productivity and can be fitted to a wide range of haul trucks with different capacity dump bodies. Designs are currently available to suit rear dumps of up to 180 tonnes capacity.



All designs are fully-engineered and utilise finite-element analysis techniques to identify areas of high stress. The diagram below shows the results of an analysis of the tailgate for a 190 tonne unit. Castings have been used in some high stress areas to avoid the use of complex fabrications and to improve the structure's overall resistance to fatigue.



email@loadquip.com.au
www.loadquip.com.au

PO BOX 247, SPRING HILL,
BRISBANE, Q. 4004

2ND FLOOR,
457 EDWARD ST

T 07 3839 2349
F 07 3832 3491

